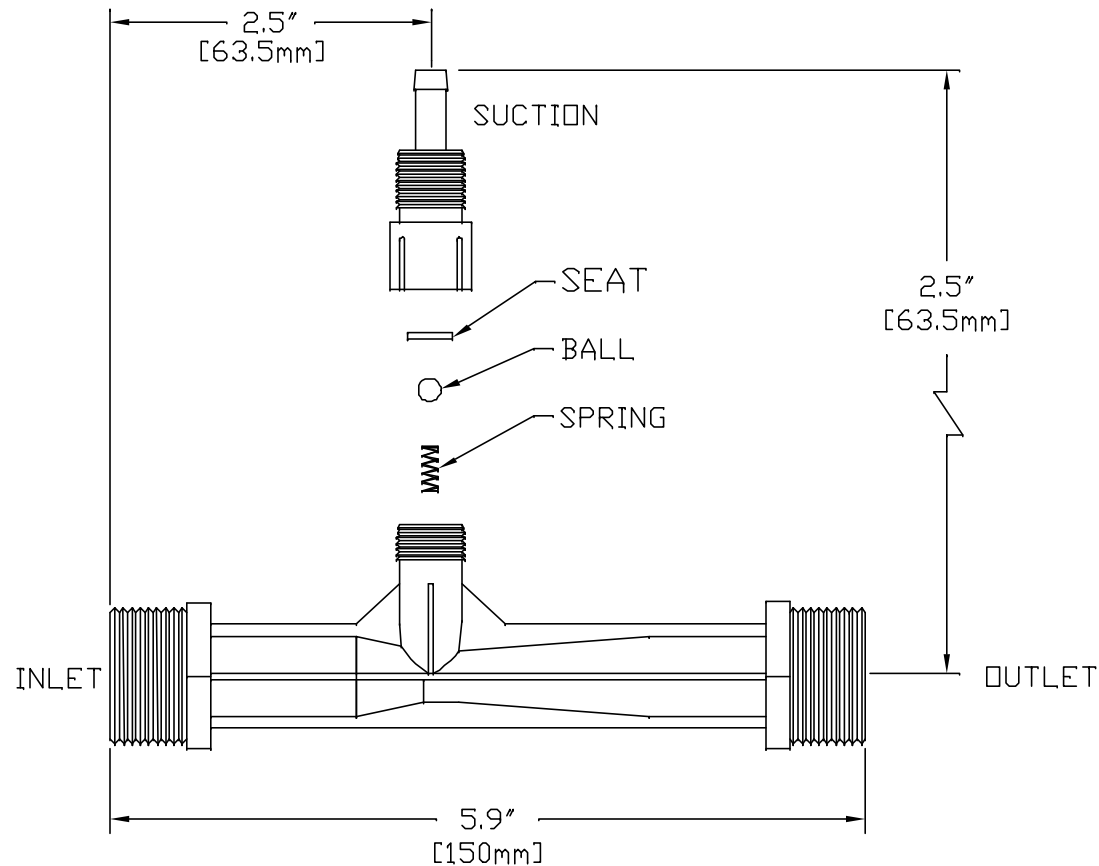


NOTES:

1. INLET AND OUTLET: 3/4" MNPT
2. SUCTION PORT: 1/4" (ID) TUBING BARB SHANK OR 1/4" MNPT
3. MATERIAL OF CONSTRUCTION: GLASS REINFORCED POLYPROPYLENE OR PVDF (KYNAR)
4. MAXIMUM TEMPERATURE RATING:
 - POLYPROPYLENE: 150 F. (65.5 C.)
 - PVDF: 200 F. (93.3 C.)
5. MAXIMUM PRESSURE RATING AT 68 F. (20 C.)
 - POLYPROPYLENE: 150 PSIG (10.3 BAR)
 - PVDF: 200 PSIG (13.8 BAR)



Covered By United States Patent No. 5,863,128
International Patents Pending



Mazzei Injector Company, LLC
500 Rooster Drive, Bakersfield, CA 93307
Tel: 661.363.6500 Fax: 661.363.7500

DATE	12-15-00	TITLE	
DRAWN BY	JRM	MODEL 784 INJECTOR	
REVIEWED BY	RST	NUMBER	JRM-13
SCALE	NONE	SIZE	REV.
MATERIALS: SEE NOTES		PAGE (1) OF (1)	

Mazzei Injector Company, LLC - Injector Performance Table									
Injector Model				784		7/23/04			
Operating Pressure kg/cm2		Water Suction		Operating Pressure kg/cm2		Water Suction			
Injector Inlet	Injector Outlet	Motive Flow l/min	Water Suction LPH	Injector Inlet	Injector Outlet	Motive Flow l/min	Water Suction LPH		
0.35	0.00	17.1	136.0	4.22	0.00	59.1	118.4		
	0.07		103.7		0.35		118.4		
	0.14		73.1		0.70		118.2		
	0.21		48.7		1.05		118.2		
	0.28		7.9		1.41		118.4		
0.70	0.00	24.1	132.7				2.11		118.2
	0.14		132.0		2.46		117.8		
	0.35		89.7		2.81		116.5		
	0.49		49.7		3.16		45.7		
	0.56		19.0						
1.05	0.00	29.6	128.8	4.92	0.00	63.9	117.6		
	0.35		127.7		0.35		117.6		
	0.49		126.0		0.70		118.0		
	0.70		74.0		1.05		118.4		
	0.84		8.8		1.41		118.0		
1.41	0.00	34.1	124.8				2.11		117.9
	0.35		125.3		2.81		117.7		
	0.70		124.5		3.16		94.9		
	0.84		107.1		3.52		31.3		
	1.05		65.9		3.87				
1.76	0.00	38.2	122.3	5.62	0.00	68.3	117.9		
	0.35		121.8		0.35		118.0		
	0.70		121.9		0.70		117.3		
	1.05		122.2		1.05		117.6		
	1.41		0.0		1.41		117.6		
2.11	0.00	41.8	119.8				2.11		116.4
	0.35		119.7		2.81		117.6		
	0.70		120.7		3.52		110.0		
	1.05		120.3		4.22		95.5		
	1.41		110.5		4.57				
2.46	0.00	45.2	118.8	6.33	0.00	72.4	119.4		
	0.35		119.3		0.35		119.4		
	0.70		119.1		0.70		118.8		
	1.05		119.4		1.41		118.8		
	1.41		118.9		2.11		120.0		
2.81	0.00	48.3	118.1				2.81		118.8
	0.35		119.0		3.52		118.8		
	0.70		119.0		4.22		117.6		
	1.05		118.9		4.92		114.4		
	1.41		119.3		5.27		72.3		
3.16	0.00	51.2	117.7	7.03	0.00	76.3	117.4		
	0.35		118.4		0.35		115.1		
	0.70		118.2		0.70		115.1		
	1.05		118.7		1.41		117.4		
	1.41		119.1		2.11		117.4		
3.52	0.00	54.0	117.9				2.81		117.4
	0.35		117.9		3.52		115.1		
	0.70		118.3		4.22		117.4		
	1.05		118.6		4.92		115.1		
	1.41		117.7		5.62		68.0		
3.52	0.00	54.0	117.9	8.44	0.00	83.6	120.6		
	0.35		117.9		0.35		120.6		
	0.70		118.3		0.70		120.6		
	1.05		118.6		1.41		120.6		
	1.41		117.7		2.11		120.0		
	1.76		119.0		2.81		119.9		
	2.11		119.3		3.52		119.9		
	2.46		84.1		4.22		120.5		
2.81	34.3	5.62	56.3						
					7.03				0.0

Mazzei Injector Company, LLC- Injector Performance Table									
Injector Model				784		7/23/04			
Operating Pressure kg/cm2		Air Suction		Operating Pressure kg/cm2		Air Suction			
Injector Inlet	Injector Outlet	Motive Flow l/min	Air Suction l/min	Injector Inlet	Injector Outlet	Motive Flow l/min	Air Suction l/min		
0.35	0.00	16.3	5.5	4.22	0.00	56.6	28.0		
	0.07		4.7		0.35		27.1		
	0.14		2.3		0.70		23.3		
	0.21		1.0		1.05		20.8		
	0.28		0.5		1.41		16.5		
0.70	0.00	23.1	9.2				2.11		7.3
	0.14		7.4		2.46		4.9		
	0.35		2.7		2.81		3.8		
	0.49		0.9		3.16		2.3		
	0.56		0.4						
1.05	0.00	28.3	13.6	4.92	0.00	61.1	28.3		
	0.35		7.8		0.35		28.2		
	0.49		4.2		0.70		25.8		
	0.70		2.0		1.05		23.4		
	0.84		0.9		1.41		21.9		
					2.11		10.5		
1.41	0.00	32.7	16.0				2.81		6.4
	0.35		10.1		3.16		4.6		
	0.70		3.8		3.52		3.6		
	0.84		2.3		3.87		2.0		
	1.05		1.1						
1.76	0.00	36.5	18.9	5.62	0.00	65.3	28.8		
	0.35		13.8		0.35		28.4		
	0.70		6.6		0.70		27.4		
	1.05		1.6		1.05		25.5		
	1.41		0.0		1.41		24.4		
2.11	0.00	40.0	22.8				2.11		16.1
	0.35		15.4		2.81		8.7		
	0.70		9.6		3.52		5.5		
	1.05		4.5		4.22		3.0		
	1.41		2.0		4.57		1.7		
	1.76		0.0						
2.46	0.00	43.2	21.9	6.33	0.00	69.3	29.3		
	0.35		18.0		0.35		29.3		
	0.70		14.1		0.70		29.1		
	1.05		7.2		1.41		26.5		
	1.41		3.9		2.11		22.8		
	1.76		1.9		2.81		11.9		
2.81	0.00	46.2	25.0				3.52		7.8
	0.35		21.2		4.22		5.2		
	0.70		16.9		4.92		2.7		
	1.05		9.7		5.27		1.7		
	1.41		5.4						
	1.76		3.4	7.03	73.0	0.00	29.3		
2.11	1.5	0.35	29.7						
		0.70	29.0						
		1.41	27.5						
		2.11	24.9						
		2.81	16.9						
3.16	0.00	49.0	26.7				3.52		9.8
	0.35		22.7			4.22	6.9		
	0.70		18.2			4.92	4.5		
	1.05		13.7			5.62	2.3		
	1.41		7.1						
	1.76		4.5	8.44	80.0	0.00	29.9		
	2.11		2.9			0.35	30.0		
2.46	1.2	0.70	29.8						
		1.41	29.6						
		2.11	27.0						
		2.81	26.0						
		3.52	16.3						
3.52	0.00	51.6	27.5				4.22		10.7
	0.35		24.5			4.92	7.9		
	0.70		20.3			5.62	5.6		
	1.05		16.9	6.33	3.5				
	1.41		9.6	7.03	0.0				
	1.76		6.4						
	2.11		4.4						
	2.46		2.8						
2.81	1.3								