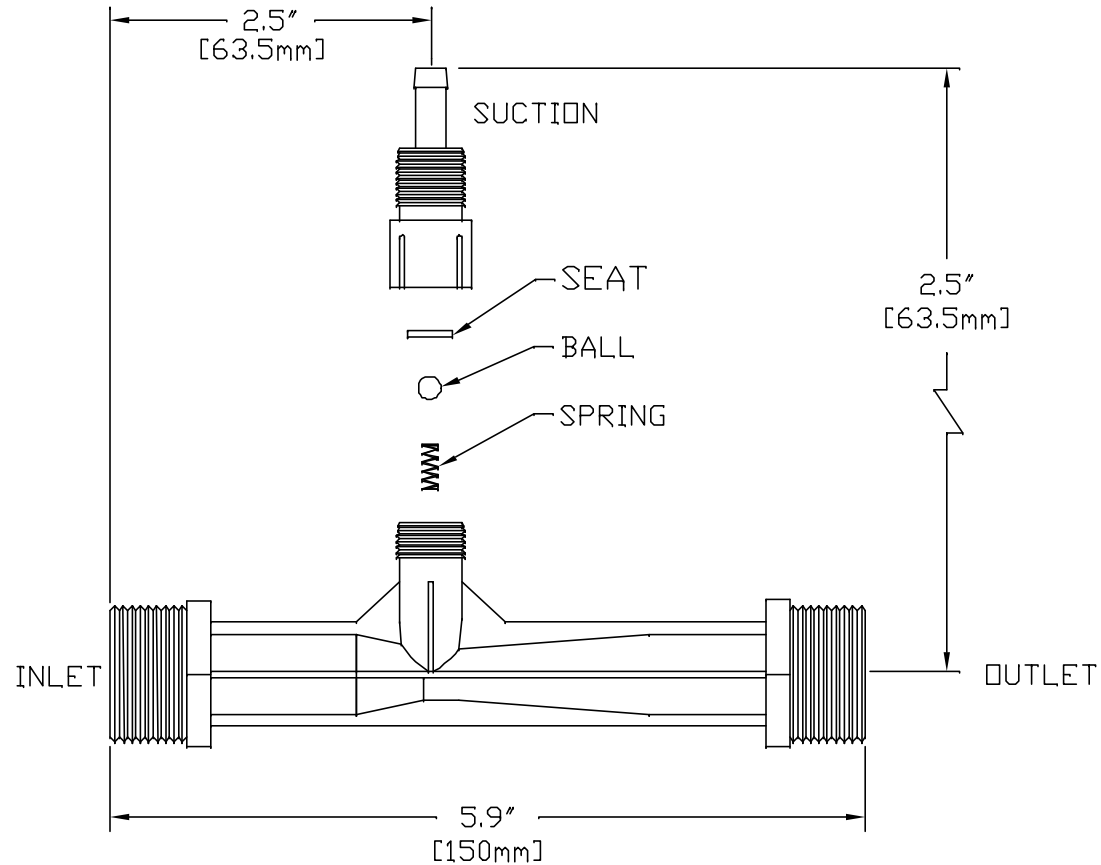


NOTES:

1. INLET AND OUTLET 3/4" MNPT OR BSPT (ISO-R)
2. SUCTION PORT: 1/4" (ID) TUBING PORT SHANK OR 1/4" MNPT
3. MATERIAL OF CONSTRUCTION: GLASS REINFORCED POLYPROPYLENE OR PVDF (KYNAR)
4. MAXIMUM TEMPERATURE RATING:  
 POLYPROPYLENE: 150 F. (65.5 C.)  
 PVDF: 200 F. (93.3 C.)
5. MAXIMUM PRESSURE RATING AT 68 F. (20 C.)  
 POLYPROPYLENE: 150 PSIG (10.3 BAR)  
 PVDF: 200 PSIG (13.8 BAR)



Covered By United States Patent No. 5,863,128  
 International Patents Pending



Mazzei Injector Company, LLC  
 500 Rooster Drive, Bakersfield, CA 93307  
 Tel: 661.363.6500 Fax: 661.363.7500

DATE	12-15-00	TITLE	
DRAWN BY	JRM	MODEL 584 INJECTOR	
REVIEWED BY	RST	NUMBER	REV.
SCALE	NONE	JRM-11	
MATERIALS: SEE NOTES		PAGE (1) OF (1)	

Mazzei Injector Company, LLC- Injector Performance Table									
Injector Model				584					
Operating Pressure kg/cm2		Water Suction		Operating Pressure kg/cm2		Water Suction			
Injector Inlet	Injector Outlet	Motive Flow l/min	Water Suction LPH	Injector Inlet	Injector Outlet	Motive Flow l/min	Water Suction LPH		
0.35	0.00	7.9	110.5	4.22	0.00	27.4	100.1		
	0.07		109.4		0.35		100.1		
	0.14		107.8		0.70		99.9		
	0.21		96.1		1.05		99.9		
	0.28		37.8		1.41		99.2		
0.70	0.00	11.2	107.0				2.11		96.0
	0.14		106.7		2.46		90.3		
	0.35		103.9		2.81		76.1		
	0.49		50.3		3.16		54.5		
	0.56		41.6						
1.05	0.00	13.7	106.6	4.92	0.00	29.6	97.9		
	0.35		105.8		0.35		97.9		
	0.49		106.1		0.70		98.1		
	0.70		52.9		1.41		97.9		
	0.84		41.8		2.11		97.3		
1.41	0.00	15.8	93.9				2.81		97.0
	0.35		94.0		3.16		88.4		
	0.70		89.7		3.52		63.3		
	0.84		72.6		3.87		34.4		
	1.05		55.2						
1.76	0.00	17.7	95.3	5.62	0.00	31.6	99.2		
	0.35		95.4		0.35		99.2		
	0.70		95.1		0.70		99.2		
	1.05		78.9		1.41		99.6		
	1.41		46.1		2.11		99.4		
2.11	0.00	19.4	95.8				2.81		99.7
	0.35		96.1		3.52		94.7		
	0.70		94.4		4.22		65.0		
	1.05		95.3		4.57		29.7		
	1.41		69.0						
2.46	0.00	20.9	96.7	6.33	0.00	33.6	102.5		
	0.35		96.7		0.35		102.5		
	0.70		96.2		0.70		104.0		
	1.05		95.6		1.41		103.1		
	1.41		83.0		2.11		103.2		
2.81	0.00	22.4	97.0				2.81		50.1
	0.35		96.9		5.27		19.8		
	0.70		97.0						
	1.05		96.5		0.00		108.9		
	1.41		95.5		0.35		108.9		
3.16	0.00	23.7	98.0	7.03	0.70	35.4	108.9		
	0.35		98.3		1.41		110.7		
	0.70		98.2		2.11		109.9		
	1.05		98.0		2.81		109.4		
	1.41		97.4		3.52		109.0		
3.52	0.00	25.0	96.8				4.22		107.5
	0.35		96.8		4.92		88.3		
	0.70		96.8		5.62		63.9		
	1.05		96.6						
	1.41		96.2		0.00		121.9		
3.52	0.00	25.0	96.8	8.44	0.35	38.8	121.9		
	0.35		96.8		0.70		121.9		
	0.70		96.8		1.41		121.9		
	1.05		96.6		2.11		120.5		
	1.41		96.2		2.81		120.5		
	1.76		92.6		3.52		119.7		
	2.11		81.7		4.22		119.7		
	2.46		59.7		4.92		108.3		
	2.81		10.8		5.62		65.0		

Mazzei Injector Company, LLC- Injector Performance Table								
Injector Model				584				
Operating Pressure kg/cm2		Water Suction		Operating Pressure kg/cm2		Water Suction		
Injector Inlet	Injector Outlet	Motive Flow l/min	Water Suction LPM	Injector Inlet	Injector Outlet	Motive Flow l/min	Water Suction LPM	
0.35	0.00	7.9	1.84	4.22	0.00	27.4	1.67	
	0.07		1.82		0.35		1.67	
	0.14		1.80		0.70		1.67	
	0.21		1.60		1.05		1.67	
	0.28		0.63		1.41		1.65	
0.70	0.00	11.2	1.78		2.11		1.60	
	0.14		1.78		2.46		1.50	
	0.35		1.73		2.81		1.27	
	0.49		0.84		3.16		0.91	
	0.56		0.69		4.92		0.00	1.63
1.05	0.00	13.7	1.78	0.35		1.63		
	0.35		1.76	0.70		1.64		
	0.49		1.77	1.05		1.64		
	0.70		0.88	1.41		1.63		
	0.84		0.70	2.11		1.62		
1.41	0.00	15.8	1.57	2.81		1.62		
	0.35		1.57	3.16		1.47		
	0.70		1.50	3.52		1.06		
	0.84		1.21	3.87		0.57		
	1.05		0.92	5.62	0.00	1.65		
1.76	0.00	17.7	1.59		0.35	1.65		
	0.35		1.59		0.70	1.65		
	0.70		1.59		1.05	1.65		
	1.05		1.31		1.41	1.66		
	1.41		0.77		2.11	1.66		
2.11	0.00	19.4	1.60		2.81	1.66		
	0.35		1.60		3.52	1.58		
	0.70		1.57		4.22	1.08		
	1.05		1.59		4.57	0.50		
	1.41		1.15	6.33	0.00	1.71		
1.76	0.73	0.35	1.71					
2.46	0.00	20.9	1.61		0.70	1.71		
	0.35		1.61		1.41	1.73		
	0.70		1.60		2.11	1.72		
	1.05		1.59		2.81	1.72		
	1.41		1.38		3.52	1.72		
2.81	1.76	22.4	1.04		4.22	1.54		
	2.11		0.95		4.92	0.84		
	3.16		0.00		23.7	1.62	5.27	0.33
			0.35	1.61		7.03	0.00	1.81
			0.70	1.62			0.35	1.81
1.05		1.61	0.70	1.81				
1.41		1.59	1.41	1.84				
1.76	1.35	2.11	1.83					
2.11	0.95	2.81	1.82					
3.52	0.00	25.0	1.63	3.52	1.82			
	0.35		1.64	4.22	1.79			
	0.70		1.64	4.92	1.47			
	1.05		1.63	5.62	1.06			
	1.41		1.62	8.44	0.00	2.03		
1.76	1.49	0.35	2.03					
2.11	1.22	0.70	2.03					
2.46	0.85	1.41	2.03					
3.52	0.00	25.0	1.61		2.11	2.03		
	0.35		1.61		2.81	2.01		
	0.70		1.61		3.52	2.01		
	1.05		1.61		4.22	2.00		
	1.41		1.60		4.92	2.00		
1.76	1.54	5.62	1.80					
2.11	1.36	6.33	1.08					
2.46	0.99	7.03						
2.81	0.18							

Mazzei Injector Company, LLC -- Injector Performance Table									
Injector Model				584					
Operating Pressure kg/cm2		Air Suction		Operating Pressure kg/cm2		Air Suction			
Injector Inlet	Injector Outlet	Motive Flow l/min	Air Suction l/min	Injector Inlet	Injector Outlet	Motive Flow l/min	Air Suction l/min		
0.35	0.00	7.6	4.2	4.22	0.00	26.3	17.1		
	0.07		1.5		0.35		12.6		
	0.14		0.6		0.70		10.0		
	0.21		0.3		1.05		6.4		
	0.28		0.1		1.41		4.7		
0.70	0.00	10.7	6.9		4.92		2.11	28.4	2.7
	0.14		2.8				2.46		2.1
	0.35		0.8				2.81		1.4
	0.49		0.4				3.16		1.0
	0.56		0.2				0.00		17.3
1.05	0.00	13.1	8.2	5.62	0.35	30.3	13.6		
	0.35		2.2		0.70		11.1		
	0.49		1.3		1.05		8.1		
	0.70		0.5		1.41		6.0		
	0.84		0.2		2.11		3.8		
1.41	0.00	15.2	9.7		6.33		2.81	32.2	2.2
	0.35		3.9				3.16		1.8
	0.70		1.4				3.52		1.3
	0.84		0.8				3.87		0.8
	1.05		0.4				0.00		17.9
1.76	0.00	17.0	10.9	7.03	0.35	33.9	14.7		
	0.35		5.0		0.70		12.4		
	0.70		2.3		1.05		10.4		
	1.05		0.9		1.41		7.6		
	1.41		0.4		2.11		4.9		
2.11	0.00	18.6	12.3		7.03		2.81	37.2	3.4
	0.35		6.4				3.52		2.2
	0.70		3.2				4.22		1.3
	1.05		1.6				4.57		0.8
	1.41		0.9				0.00		18.2
	1.76		0.3	0.35		15.5			
2.46	0.00	20.1	13.4	8.44	0.70	39.0	13.6		
	0.35		8.8		1.41		9.3		
	0.70		4.4		2.11		6.1		
	1.05		2.5		2.81		4.2		
	1.41		1.3		3.52		2.8		
	1.76		0.8		4.22		1.8		
2.81	0.00	21.4	14.5	8.44	4.92	40.7	1.1		
	0.35		9.2		5.27		0.8		
	0.70		5.1		0.00		18.5		
	1.05		3.3		0.35		16.6		
	1.41		2.0		0.70		14.3		
	1.76		1.3		1.41		10.9		
3.16	2.11	22.7	0.7	8.44	2.11	42.4	6.8		
	2.46		2.81		5.2		5.2		
	0.00		14.9		3.52		3.6		
	0.35		10.2		4.22		2.5		
	0.70		6.0		4.92		1.6		
	1.05		4.4		5.62		1.0		
3.52	1.41	24.0	2.7	8.44	0.00	44.1	19.0		
	1.76		1.9		0.35		18.2		
	2.11		1.2		0.70		15.8		
	2.46		0.7		1.41		13.0		
	0.00		15.6		2.11		8.8		
	0.35		10.7		2.81		6.6		
	0.70		7.6		3.52		5.1		
	1.05		4.9		4.22		3.6		
	1.41		3.6		4.92		2.9		
1.76	2.4	5.62	2.1						
2.11	1.7	6.33	1.5						
2.46	1.1	7.03	0.9						
2.81	0.6								