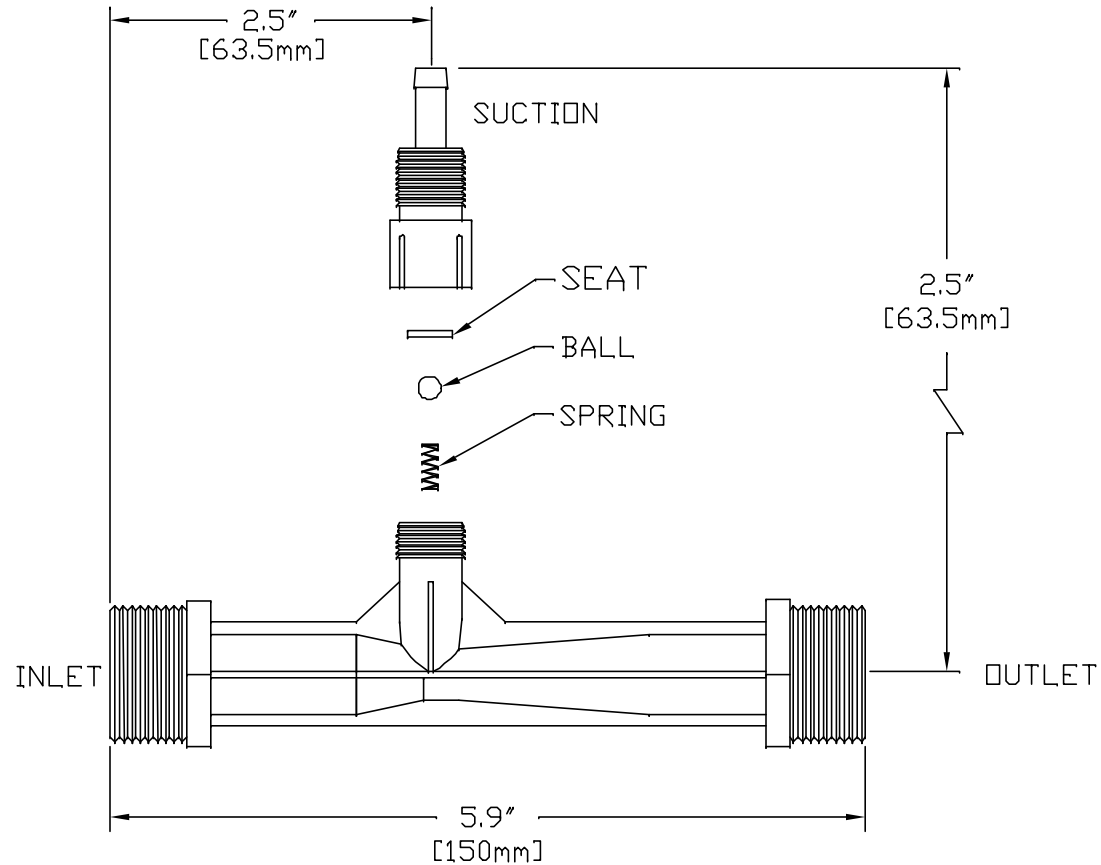


NOTES:

1. INLET AND OUTLET 3/4" MNPT OR BSPT (ISO-R)
2. SUCTION PORT: 1/4" TURBING BARB SHANK OR 1/4" MNPT
3. MATERIAL OF CONSTRUCTION: GLASS REINFORCED POLYPROPYLENE OR PVDF (KYNAR)
4. MAXIMUM TEMPERATURE RATING:  
 POLYPROPYLENE: 150 F. (65.5 C.)  
 PVDF: 200 F. (93.3 C.)
5. MAXIMUM PRESSURE RATING AT 68 F. (20 C.)  
 POLYPROPYLENE: 150 PSIG (10.3 BAR)  
 PVDF: 200 PSIG (13.8 BAR)



Covered By United States Patent No. 5,863,128  
 International Patents Pending



mazzei injector corporation  
 Bakersfield, California, USA

DATE	12-15-00	TITLE	
DRAWN BY	JRM	MODEL 484-X INJECTOR	
REVIEWED BY	RST	NUMBER	SIZE REV.
SCALE	NONE	JRM-16	
MATERIALS: SEE NOTES		PAGE (1) OF (1)	

Mazzei Injector Corporation - Injector Performance Table									
Injector Model				484X		7/22/04			
Operating Pressure kg/cm2		Water Suction		Operating Pressure kg/cm2		Water Suction			
Injector Inlet	Injector Outlet	Motive Flow l/min	Water Suction LPH	Injector Inlet	Injector Outlet	Motive Flow l/min	Water Suction LPH		
0.35	0.00	4.5	89.0	4.22	0.00	15.6	160.5		
	0.07		63.2		0.35		160.0		
	0.14		45.2		0.70		145.0		
	0.21		27.9		1.05		144.0		
	0.28				1.41		142.1		
0.70	0.00	6.4	112.7				2.11		87.6
	0.14		87.4		2.46		42.5		
	0.35		44.9		2.81		23.9		
	0.49		14.2		3.16				
	0.56				0.00			160.3	
1.05	0.00	7.8	146.4	4.92	0.35	16.9	161.1		
	0.35		79.4		0.70		149.6		
	0.49		59.3		1.05		141.2		
	0.70		19.6		1.41		135.0		
	0.84				2.11		118.6		
1.41	0.00	9.0	149.7				2.81		61.8
	0.35		104.7		3.16		34.1		
	0.70		50.6		3.52		9.5		
	0.84		32.0		3.87				
	1.05				0.00			160.1	
1.76	0.00	10.1	149.8	5.62	0.35	18.1	158.8		
	0.35		121.6		0.70		158.4		
	0.70		83.4		1.05		154.3		
	1.05		37.6		1.41		154.3		
	1.41				2.11		150.3		
2.11	0.00	11.1	150.5				2.81		102.2
	0.35		144.3		3.52		25.8		
	0.70		109.1		4.22				
	1.05		64.4		4.57				
	1.41		16.5		0.00			160.0	
2.46	0.00	11.9	152.6	6.33	0.35	19.1	158.8		
	0.35		148.8		0.70		154.3		
	0.70		128.2		1.41		154.3		
	1.05		91.9		2.11		149.5		
	1.41		55.9		2.81		126.5		
2.81	0.00	12.8	154.5				3.52		99.6
	0.35		146.4		4.22		52.1		
	0.70		145.7		4.92				
	1.05		113.3		5.27				
	1.41		78.3		0.00			160.7	
3.16	0.00	13.5	156.8	7.03	0.35	20.2	158.8		
	0.35		147.8		0.70		154.3		
	0.70		143.5		1.41		150.1		
	1.05		132.4		2.11		154.2		
	1.41		101.8		2.81		132.4		
3.52	0.00	14.3	157.7				3.52		102.4
	0.35		153.2		4.22		57.3		
	0.70		148.3		4.92		15.2		
	1.05		141.4		5.62				
	1.41		111.5		0.00			173.6	
3.52	1.76		76.7	8.44	0.35	22.1	166.2		
	2.11		31.0		0.70		163.6		
	2.46		14.2		1.41		158.8		
	2.81				2.11		152.1		
					2.81		139.5		
					3.52		121.4		
					4.22		93.9		
					4.92		77.2		
			5.62		39.2				
			6.33						
			7.03						

<b>Mazzei Injector Corporation - Injector Performance Table</b>									
<b>Injector Model</b>				<b>484X</b>					
Operating Pressure kg/cm2		Water Suction		Operating Pressure kg/cm2		Water Suction			
Injector Inlet	Injector Outlet	Motive Flow l/min	Water Suction LPM	Injector Inlet	Injector Outlet	Motive Flow l/min	Water Suction LPM		
<b>0.35</b>	0.00	4.5	1.48	<b>4.22</b>	0.00	15.6	2.68		
	0.07		1.05		0.35		2.67		
	0.14		0.75		0.70		2.42		
	0.21		0.46		1.05		2.40		
	0.28		0.00		1.41		2.37		
<b>0.70</b>	0.00	6.4	1.88		2.11		1.46		
	0.14		1.46		2.46		0.71		
	0.35		0.75		2.81		0.40		
	0.49		0.24		3.16		0.00		
	0.56		0.00		0.00		2.67		
<b>1.05</b>	0.00	7.8	2.44	<b>4.92</b>	0.35	16.9	2.68		
	0.35		1.32		0.70		2.49		
	0.49		0.99		1.05		2.35		
	0.70		0.33		1.41		2.25		
	0.84		0.00		2.11		1.98		
<b>1.41</b>	0.00	9.0	2.49		2.81		1.03		
	0.35		1.74		3.16		0.57		
	0.70		0.84		3.52		0.16		
	0.84		0.53		3.87		0.00		
	1.05		0.00		0.00		2.67		
<b>1.76</b>	0.00	10.1	2.50	<b>5.62</b>	0.35	18.1	2.65		
	0.35		2.03		0.70		2.64		
	0.70		1.39		1.05		2.57		
	1.05		0.63		1.41		2.57		
	1.41		0.00		2.11		2.51		
<b>2.11</b>	0.00	11.1	2.51		<b>6.33</b>		2.81	19.1	1.70
	0.35		2.41				3.52		0.43
	0.70		1.82				4.22		0.00
	1.05		1.07				4.57		0.00
	1.41		0.27				0.00		2.67
<b>2.46</b>	0.00	11.9	2.54	0.35		2.65			
	0.35		2.48	0.70		2.57			
	0.70		2.14	1.41		2.57			
	1.05		1.53	2.11		2.49			
	1.41		0.93	2.81		2.11			
<b>2.81</b>	0.00	12.8	2.57	3.52	1.66				
	0.35		2.44	4.22	0.87				
	0.70		2.43	4.92	0.00				
	1.05		1.89	5.27	0.00				
	1.41		1.31	0.00	2.68				
<b>3.16</b>	0.00	13.5	2.61	<b>7.03</b>	0.35	20.2	2.65		
	0.35		2.46		0.70		2.57		
	0.70		2.39		1.41		2.50		
	1.05		2.21		2.11		2.57		
	1.41		1.70		2.81		2.21		
<b>3.52</b>	0.00	14.3	2.63		3.52		1.71		
	0.35		2.55		4.22		0.96		
	0.70		2.47		4.92		0.25		
	1.05		2.36		5.62		0.00		
	1.41		1.86		0.00		2.89		
<b>3.52</b>	1.76	14.3	1.28	<b>8.44</b>	0.35	22.1	2.77		
	2.11		0.52		0.70		2.73		
	2.46		0.24		1.41		2.65		
	2.81		0.00		2.11		2.54		
					2.81		2.32		
					3.52		2.02		
					4.22		1.57		
					4.92		1.29		
		5.62	0.65						
		6.33	0.00						
		7.03	0.00						

<b>Mazzei Injector Corporation - Injector Performance Table</b>							
<b>Injector Model</b>				<b>484X</b>			
Operating Pressure kg/cm2		Air Suction		Operating Pressure kg/cm2		Air Suction	
Injector Inlet	Injector Outlet	Motive Flow l/min	Air Suction l/min	Injector Inlet	Injector Outlet	Motive Flow l/min	Air Suction l/min
<b>0.35</b>	0.00	4.3	3.7	<b>4.22</b>	0.00	15.0	17.3
	0.07		1.3		0.35		14.3
	0.14		0.3		0.70		7.7
	0.21		0.2		1.05		4.8
	0.28				1.41		2.5
<b>0.70</b>	0.00	6.1	6.2		2.11		1.3
	0.14		1.9		2.46		1.0
	0.35		0.5		2.81		0.5
	0.49		0.2		3.16		
	0.56				0.00		18.7
<b>1.05</b>	0.00	7.5	8.4	<b>4.92</b>	0.35	16.2	14.9
	0.35		1.3		0.70		9.9
	0.49		0.7		1.05		7.2
	0.70		0.3		1.41		3.6
	0.84				2.11		1.8
<b>1.41</b>	0.00	8.7	10.1		2.81		1.1
	0.35		2.5		3.16		0.8
	0.70		0.7		3.52		0.2
	0.84		0.5		3.87		
	1.05				0.00		19.0
<b>1.76</b>	0.00	9.7	11.7	<b>5.62</b>	0.35	17.3	18.0
	0.35		4.0		0.70		13.6
	0.70		1.0		1.05		8.6
	1.05		0.6		1.41		4.7
	1.41				2.11		2.4
<b>2.11</b>	0.00	10.6	12.9		2.81		1.5
	0.35		4.9		3.52		1.0
	0.70		1.6		4.22		
	1.05		0.9		4.57		
	1.41		0.4		0.00		20.1
<b>2.46</b>	0.00	11.4	14.4	<b>6.33</b>	0.35	18.4	18.8
	0.35		6.7		0.70		15.5
	0.70		2.3		1.41		7.5
	1.05		1.1		2.11		3.4
	1.41		0.9		2.81		2.1
<b>2.81</b>	0.00	12.2	15.6		3.52		1.4
	0.35		8.0		4.22		0.8
	0.70		3.5		4.92		
	1.05		1.5		5.27		
	1.41		1.1		0.00		21.0
<b>3.16</b>	0.00	13.0	15.6	<b>7.03</b>	0.35	19.3	20.2
	0.35		9.4		0.70		17.3
	0.70		4.2		1.41		8.8
	1.05		2.0		2.11		4.9
	1.41		1.2		2.81		2.9
<b>3.52</b>	0.00	13.7	16.0		3.52		1.9
	0.35		11.1		4.22		1.3
	0.70		5.5		4.92		0.4
	1.05		2.6		5.62		
	1.41		1.6		0.00		23.0
<b>3.52</b>	1.76	13.7	1.2	<b>8.44</b>	0.35	21.2	22.2
	2.11		0.9		0.70		20.2
	2.46		0.2		1.41		12.3
	2.81				2.11		7.1
					2.81		4.0
					3.52		2.7
					4.22		2.0
					4.92		1.4
		5.62	0.5				
		6.33					
		7.03					